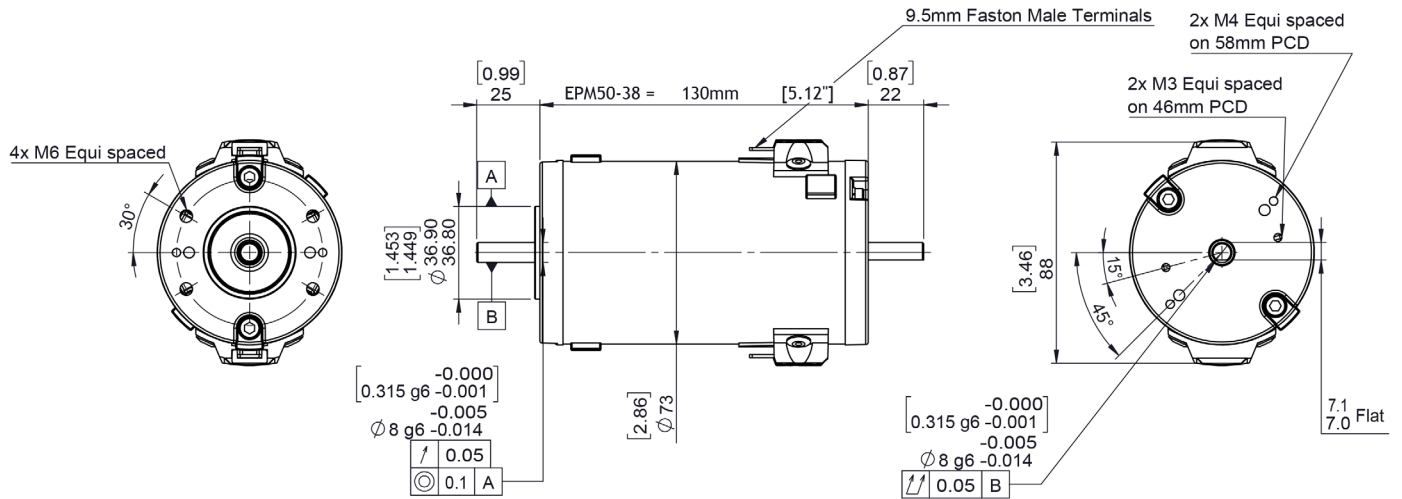


EPM50-38 PMDC motor

Ø73 mm frame // 38 mm stack

PARVALUX



Part number key	
Modular	#####
Standard	#####
Special	#####

Available on request: custom shaft length and diameter, shaft on both sides, special windings for specific voltages and speed, higher IP protection class, custom flanges and connectors

All products are built in accordance to performance tolerances from EN60034-1:2010. As continuous improvement, Parvalux periodically test their product range to ensure test results are as accurate as possible and are therefore subject to change. Please ensure you are using the latest datasheets found on our website

Technical data

		E5038-3K12	E5038-3K24	E5038-3K40	E5038-3K48
1 Part number		E5038-3K12	E5038-3K24	E5038-3K40	E5038-3K48
2 Nominal power	W	94	94	94	94
3 Nominal voltage	V	12	24	40	48
4 No load speed	rpm	3807	3827	3939	3920
5 No load current	A	1.40	0.57	0.35	0.29
6 Nominal speed	rpm	3000	3000	3000	3000
7 Nominal continuous torque (S1)	Nm	0.30	0.30	0.30	0.30
8 Nominal continuous current (S1)	A	11.0	5.5	3.4	2.8
9 Max. intermittent torque (S3)	Nm	0.50	0.50	0.50	0.50
10 Stall current	A	76.0	32.0	20.0	17.0
11 Stall torque	Nm	2.3	1.9	1.9	1.9
12 Stack length	mm	38	38	38	38
13 Maximum efficiency	%	78	77	77	77
14 Terminal resistance - phase to phase	Ω	0.16	0.76	1.99	2.90
15 Terminal inductance - phase to phase	mH	-	-	-	-
16 Speed constant	rpm/V	312	156	96	80
17 Torque constant	Nm/A	0.031	0.060	0.098	0.120
18 Speed torque gradient	rpm/Nm	1646	2041	2041	2041
19 Rotor inertia	Kg/cm ²	1.57 x 10 ⁻⁴	1.57 x 10 ⁻⁴	1.57 x 10 ⁻⁴	1.57 x 10 ⁻⁴

Thermal data

20 Ambient temperature	°C	40
------------------------	----	----

Mechanical data

21 Radial load [distance from flange]	N [mm]	150 [15]
---------------------------------------	--------	----------

Other data

22 Number of poles		2
23 Weight	Kg	2.0
24 IP rating		IP44
25 Enclosure		Enclosed
26 Insulation Class		F
27 Reversible		Yes

Modular system

