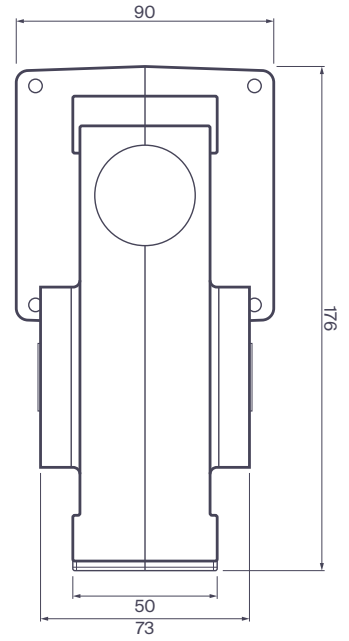
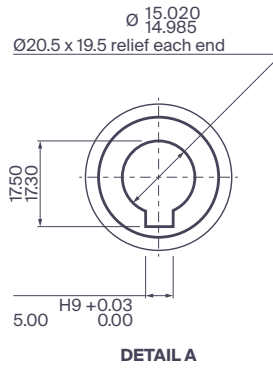
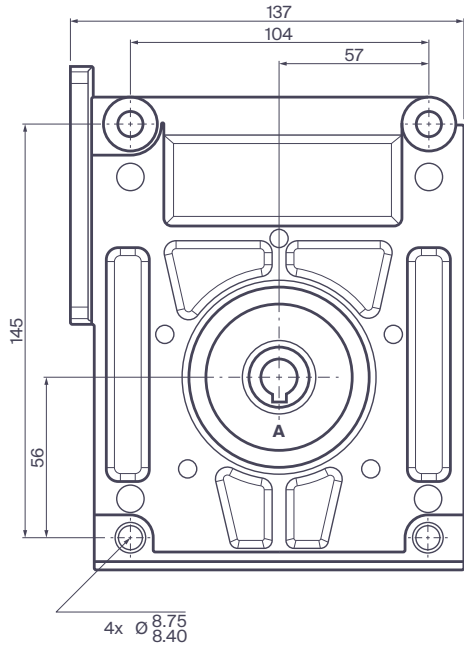


GB9 Right-angle gearbox

12.5:1 - 75:1 ratio // 20 - 320 rpm // 7 - 60 Nm

PARVALUX



Technical data

1 Part number (modular range)		111110	111111	111112	111113	111114	111115	111116
2 Gear ratio	:1	12.5	15	25	30	40	60	75
3 Stages								
4 Max. continuous torque	Nm							
5 Max. intermittent torque	Nm							
6 Efficiency	%							
7 Backlash	arc.min							
8 Max. axial load (dynamic)	N							
9 Max. radial load, 12 mm from flange	N							
10 Weight	Kg							
11 Gear material								

Modular system

PMDC motor	+L mm
PM1	126.0
PM2	126.0
PM3	132.0
PM4	132.0

BLDC motor	+L mm
BL46	68.0
BL60	86.0
BL80	112.0

AC motor	+L mm
SD1	85.0
SD8	108.0
SD11	116.0

+L mm = added length



Shaft extension kit Part number